

41 SERIES MINITEE-TYPE FILTERS



- Up to 10,000 PSI
- Various micron ratings available
- 316 and 17-4 PH stainless steel

CHASE FILTERS
AND COMPONENTS

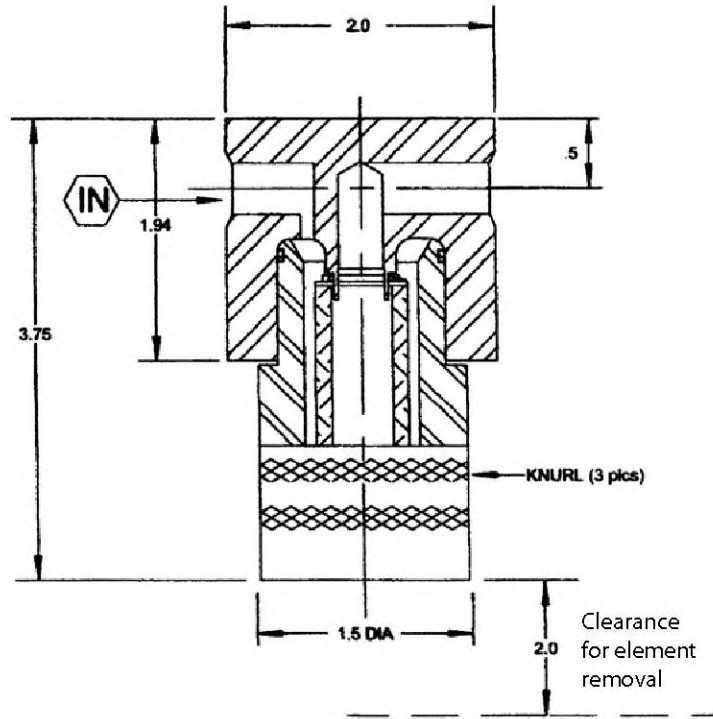
41 SERIES MINI-TEE FILTERS

316 STAINLESS STEEL

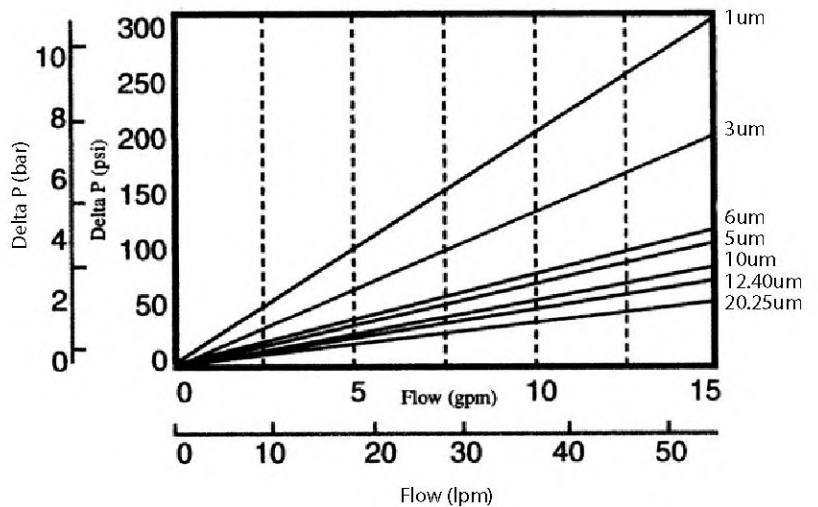
- 5,000 PSI Operating
- 7,500 PSI Proof
- 20,000 PSI Burst
- 2.5 LBS
- 1/4" NPT

17-4PH STAINLESS STEEL

- 10,000 PSI Operating
- 15,000 PSI Proof
- 40,000 PSI Burst
- 2.5 LBS
- 1/4" NPT



Clean Element Pressure Drop



41 SERIES HOW TO ORDER

Example Part Number

				A	B	C	D	E	F	G	H		
				41	P	-	1	4	P	-	10S	E	N
<i>Description</i>													
<i>Section A</i>													
<i>Filter Series</i>	Mini Tee-Type	Code		41									
<i>Section B</i>													
<i>Housing Material and Pressure</i>	17-4 PH SS - 6000 PSI	Code		P	P								
	316 SS - 3000 PSI	Code		T	T								
<i>Section C</i>													
<i>Flow</i>	1.5 GPM / 50 SCFM	Code		1	1								
<i>Section D</i>													
<i>Inlet/Outlet Port</i>	1/4"	Code		4	4								
<i>Section E</i>													
<i>Inlet / Outlet Type</i>	NPT	Code		P	P								
<i>Section F</i>													
	<i>Material</i>	<i>Micron/Nom</i>	<i>Micron/Abs</i>										
<i>Micron Rating / Material</i>	316 Sintered SSTL	0.2	.2P										
	316 Sintered SSTL	0.7	.7P										
	316 Sintered SSTL	2	2P										
	316 Sintered SSTL	5	5P										
	Microglass	1	1M										
	Microglass	3	3M										
	Microglass	5	5M										
	Microglass	10	10M										
	Microglass	25	25M										
	304 SSTL	2	10	10S									
	304 SSTL	5	18	18S									
	304 SSTL	10	25	25S									
	304 SSTL	40	75	75S									
	304 SSTL	75	100	100S									
	304 SSTL	100	200	200S									
	<i>Section G</i>												
<i>Collapse Rating</i>	300 PSID Microglass											C	
	3250 PSID Microglass											D	
	4500 PSID Stainless Wire											E	
	2000 PSID 316 Sintered											F	
<i>Section H</i>													
<i>O-Ring Material</i>	Buna	Code		N								N	
	Viton®	Code		V								V	
	EPR	Code		E								E	
	Teflon	Code		T								T	
	Kalrez®	Code		K								K	
Teflon Encapsulated Viton	Code		S								S		

Replacement Element:

				A	F	G	H		
				41	E	-	10S	E	N
<i>Description</i>									
<i>Section A</i>									
<i>Element</i>	Element Size	Code		41					
<i>Section F</i>									
<i>Micron / Material</i>	See Section F Above For Code	Code		E	10S				
<i>Section G</i>									
<i>Collapse Rating</i>	See Section G Above For Code	Code						E	
<i>Section H</i>									
<i>O-Ring Material</i>	See Section H Above For Code	Code							N